

Mini Class

# **SUPER 800**

## **TRACKED PAVER**



Pave widths 0.5-3.5m  
Maximum laydown rate 300t/h  
Clearance width 1.4m

**CLASSIC**  
LINE

 [www.voegele.info](http://www.voegele.info)





## The Mini Class paver with the maximum range of applications



**The SUPER 800** is an extremely compact small paver that can tackle a wide variety of applications. Whether working on narrow farm tracks, close to walls and edges, between tram lines or in buildings, it is in confined spaces that the SUPER 800 really shows what it's capable of.

When it comes to technology, the SUPER 800 can certainly keep pace with the large "Dash 3" pavers.

The powerful material conveying system is sophisticated, as is the ErgoBasic operating concept. Equipped with the AB 220 TV Extending Screed with tamper and vibrators, this small paver achieves optimum precompaction values.

And finally, the excellent price/performance ratio of this small paver is not the least of its attractions. That makes it the ideal choice in towns and cities as well as for landscaping applications. As such it is particularly interesting for many local authority contractors.



# The highlights of the SUPER 800



**Wide range of paving applications** from 0.5–3.5m for a large number of paving projects

**The ideal option for highly confined job sites** thanks to its compact dimensions

**Several feed options** with the asymmetrical material hopper

**Simple operation** with the innovative and easy-to-grasp ErgoBasic operating concept

**Powerful and cost-efficient** thanks to the 54kW diesel engine and ECO mode

**Positive tracking** and precise steering due to traction drives in closed loops

**High precompaction** with the AB 220 TV Extending Screed (tamper and vibrators)



# Compact, light and manoeuvrable

**When the job site is particularly narrow,** short or low, that's when the SUPER 800 comes into its own. Its dimensions make it the ideal candidate for landscaping applications as well as for surfacing car parks, farm tracks, cycle paths or footpaths.

The Mini Class paver is also a popular choice for building motorway central reservations or working in underground car parks, low halls, etc. In all these situations, its small dimensions, great manoeuvrability and high power are the decisive factor for efficiency.

This highly evolved paver is perfectly equipped to handle even the most difficult conditions. The asymmetrical material hopper, for instance, allows the Mini Class paver to be easily fed with mix in extremely confined spaces.



SURFACING PATHS IN PUBLIC PARKS



INDOOR APPLICATIONS (FACTORY HALLS ETC.)



CONSTRUCTING FARM TRACKS



SURFACING LARGE AREAS



SURFACING CYCLE PATHS OR FOOTPATHS



BACKFILLING TRENCHES



PAVING WORK IN SPORTS FACILITIES



SURFACING MEDIAN STRIPS ON MOTORWAYS



PAVING ASPHALT ON DAMS

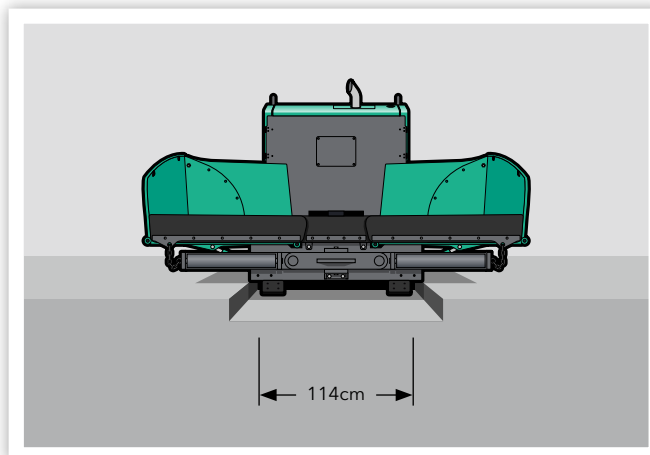


BUILDING THE BASE FOR PAVING SETTS

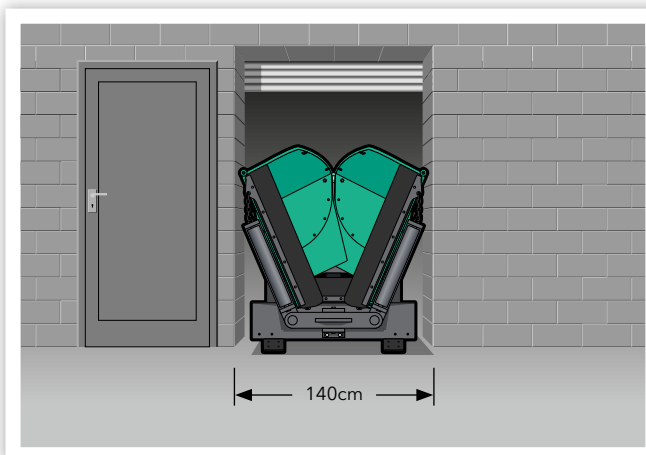
The applications illustrated here are typical of the VÖGELE Mini Class. The illustrations may also show the predecessor model.



## Precision in small spaces

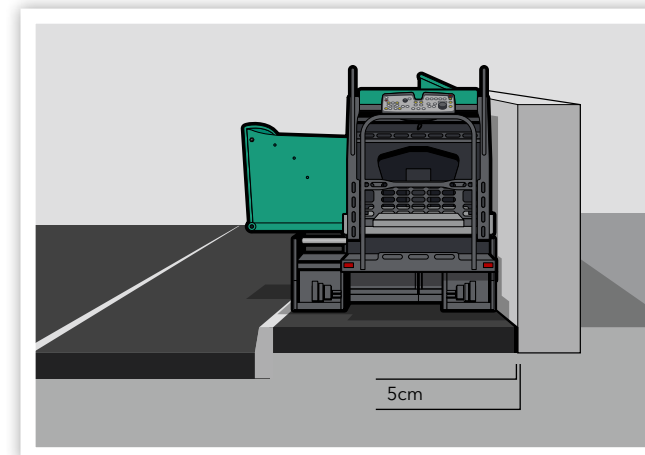


» **With an outer track gauge** of just 1.14m, the paver is ideal for paving between tramway rails and in milled strips.



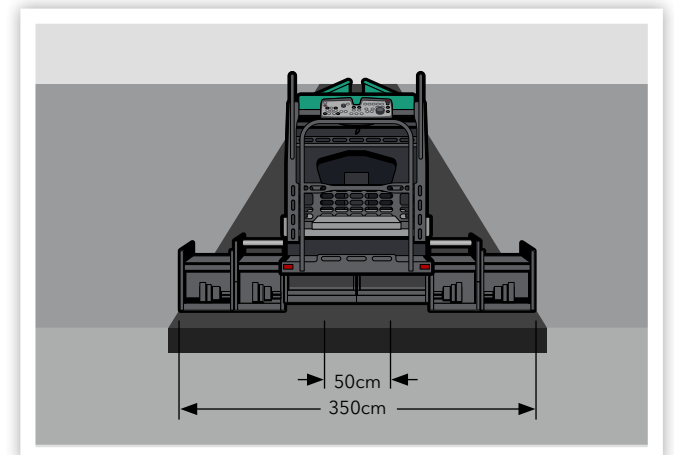
» **The small clearance width** of 1.4m means that even narrow entrances or gates are no longer an obstacle. The paver can pass through tight entrances and is capable of surfacing traffic areas in buildings such as underground car parks without any problem.

## Paving up to a distance of 5cm from boundaries



» **The well-thought-out paver design** allows machine-based paving up to a distance of 5cm from boundaries.

» **The overall height** of less than 2m allows paving in low spaces and under canopy roofs.



» **The great range of pave widths** – from 0.5 to 3.5m – means it can be used in a wide variety of applications, ensuring high utilization of the machine.



# Perfect material management



**Several feeding options** are particularly useful when space is narrow and confined. That is exactly what the large material hopper of the SUPER 800 was designed for. It can be conveniently supplied with material by lorry or wheeled loader, depending on how much space is available.

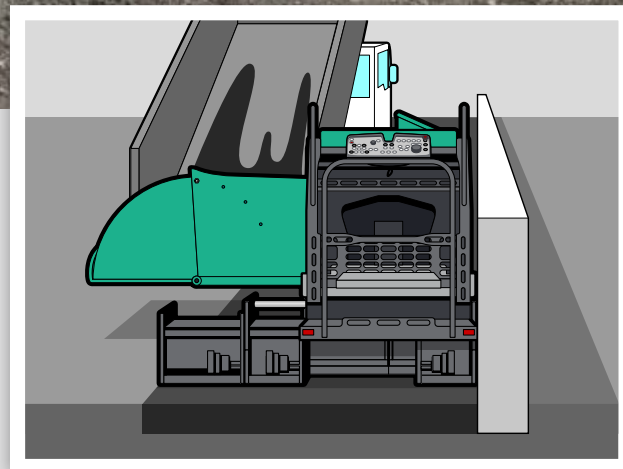
The powerful conveyor, the large conveyor tunnel and the augers adjustable in height ensure that material flows to the screed in exactly the required quantity.



## Several feeding options

**The large material hopper** with separately folding sides is designed so that the machine can always be supplied with paving material in the best, most cost-effective way. Whether the mix is supplied from the front by lorry or from the side by a wheeled loader, the hopper sides can always be positioned as required.

The optional asymmetrical hopper (left side) allows the paver to be supplied with material by lorry even if the feed vehicle is unable to dock centrally in front of the machine, as is the case when paving along walls or other boundaries, for instance.



*On the asymmetrical material hopper, the left side can be fully folded down hydraulically. Combined with the possibility of adjusting the push-rollers to the left, this makes it easier for material to be supplied by lorry when paving along walls or other boundaries.*

## Optimal flow of mix

**The pavers of the Mini Class** come with a powerful material handling system. The large material hopper holds an ample supply of mix, while the wide conveyor tunnel permits a high material throughput.

The large auger blades ensure that the material is spread evenly in front of the screed.



### Large material hopper

With a capacity of 5.8t, the material hopper of the small paver is designed to guarantee a controlled supply of mix, preventing any bottlenecks from occurring.



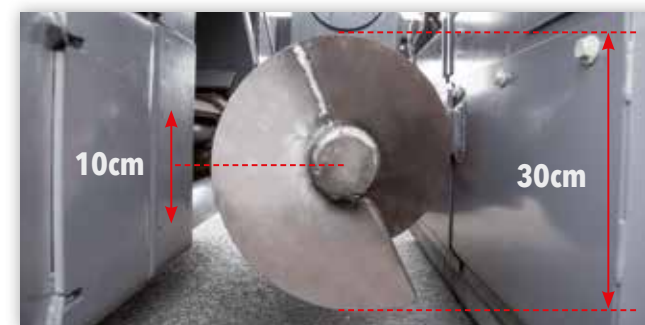
### Optimum conveyor drive

The arrangement of the conveyor drive at the rear of the machine makes for optimum power transmission, ensuring a high conveying capacity while minimizing wear of paver components. The conveyor is reversible, preventing any spills of material when repositioning the paver on the job site.



### Wide conveyor tunnel

The conveyor tunnel is wide enough to guarantee a high material throughput of up to 300t/h.



### Large auger blades

With a diameter of 300mm, the large auger blades ensure that the material is spread homogeneously. The height of the augers is infinitely variable by 100mm, even hydraulically on request.



## The ErgoBasic operating concept



**The ErgoBasic concept** was developed on the basis of the proven ErgoPlus operating system which is installed in our Premium Line pavers, but it was tailored specifically to the needs and requirements of VÖGELE Classic Line users.

The aim was to develop an operating system for the small machines that is just as quick, precise and intuitive to operate as the system for the large machines.

That makes VÖGELE the only manufacturer to offer a standardized operating concept for all paver classes.





# The paver operator's **ErgoBasic** console



***“Full control for the machine operator!”***



# The paver operator's ErgoBasic console

**Everything at a glance:** the functions are arranged in a clear, logical and practical layout that has clearly been inspired by the ErgoPlus operating console.

Given the limited number of functions, there is no need for a display. The status of all settings is indicated as a percentage on LED strips immediately next to the relevant functions.

The type of controls and the symbols used are all in line with those of an ErgoPlus console but have been tailored to the functions of a small paver.

LEDs also indicate the set speeds for the augers and the compacting systems as well as the fill level of the fuel tank.



**Function and status indicators**

The function and status indicators mean that the operator always has full control over his machine, even without a display. He can, for instance, read the fill level of the fuel tank directly and identify whether there are any functional faults.

**Choice of operating modes for the paver**

All the main paving and machine functions can be controlled directly by individual push-buttons on the paver operator's ErgoBasic console. The paver changes between operating modes at the push of a button in the following order: "Pave", "Positioning", "Job Site" and "Neutral". An LED indicates which mode is selected. On leaving "Pave" mode, the memory function stores all the last settings, which means that the paving parameters last used are retrieved immediately after repositioning the machine on the job site, for instance.

**Speed of the augers**

In automatic mode, the maximum speed of the augers can be adapted to the pave width separately for the left and right using the plus and minus keys. The set value is displayed as a percentage on the LED strip.

**Safe operation during the night**

The paver operator's ErgoBasic console features glare-free backlighting so that the paver operator can also work safely on night-time jobs.

**Choice of engine speed ranges**

There are three speed ranges for the diesel engine: MIN, ECO and MAX. The desired range can be set easily using the arrow keys. Many construction projects can be completed at ECO rpm. The lower engine speed reduces noise emissions considerably and saves on fuel.

**Compacting effort**

The speeds of the compacting systems can be set directly on the operator's console. The LED strips from 0 to 100% indicate the set speeds for the tamper and vibrators, allowing them to be adjusted immediately when required.

**Steering with preselected steering angle**

The machine is steered by means of a rotary controller which enables the paver operator to manoeuvre the machine precisely even in the tightest spots. For long curves with a constant radius, the desired steering angle can be preselected using arrow keys. The paver stays automatically on the set track until the function is deactivated, allowing the paver operator to monitor the paving process undisturbed.



## The **ErgoBasic** remote control unit for the screed

The **safe and easy handling** of all screed functions is a key factor in high-quality pavement construction. That's why a remote control unit for the screed was developed specifically for the ErgoBasic operating system of the SUPER 800.

The remote control's keypad is laid out logically according to the functional processes. Designed for robustness, it is well able to withstand tough job site conditions.

Operation is easy to understand and can be learned intuitively in a very short space of time, not least because the symbols used in the proven ErgoPlus operating system are found here, too.

The ErgoBasic remote control unit for the screed allows all paving-related functions to be set quickly and easily. That includes direct access to the material handling systems and the sonic sensor for the auger.

There is a remote control unit for each side of the screed. The operator has a large range of actions thanks to the magnetic bracket and spiral cable connection. This means that he can always operate the screed from the best possible position, a factor of immense importance particularly when working in confined spaces.

**All the main paving functions** can be controlled via the two handy screed remote control units. Simple, language-neutral symbols allow the machine to be operated intuitively.



- 1 // **Conveyor**, automatic/manual
- 2 // **Horn**
- 3 // **Auger**, automatic/manual/reverse
- 4 // **Screed floating** on/off
- 5 // **Screed width control**, one side
- 6 // **Adjustment of screed tow point ram**





## Remote control unit for Niveltronic Basic

**VÖGELE** have also developed a System for Automated Grade and Slope Control to match the ErgoBasic operating system: the Niveltronic Basic. It is completely integrated into the machine control system and therefore perfectly adapted to the paver model concerned. Another outstanding aspect of Niveltronic Basic is its particularly simple and intuitive handling, a feature which makes it easy even for less experienced operators to learn their way around the system. This creates ideal conditions for the small paver to work true to line and level on any base.

Each side of the screed is operated by a separate compact and exceedingly robust Niveltronic Basic remote control unit. These units are easily removed from their magnetic brackets, giving the operator a large range of action so that he can always take up the optimum position for every paving job.

A variety of sensor types is available for Niveltronic Basic, in keeping with the machine's large and varied range of uses. These sensors extend from a mechanical to non-contacting sonic sensors and

even include a laser receiver for surfacing large areas.

The System for Automated Grade and Slope Control can simultaneously be connected to two grade sensors and a slope sensor. The type of sensor used is detected automatically. The kind of reference – ground, tensioned wire or transverse slope – can be easily set on the remote control unit.

**The remote control units** come with all the functions required for high-precision grade and slope control. Clear symbols allow the machine to be operated intuitively.

- 1 // Deviation** from specified values
- 2 // Niveltronic Basic** on/off
- 3 // Setting:** Sensor sensitivity
- 4 // Selecting:** Kind of reference (ground, tensioned wire, transverse slope)
- 5 // Quick set-up**
- 6 // Setting:** Specified value
- 7 // Sensor calibration**





## Modern drive technology

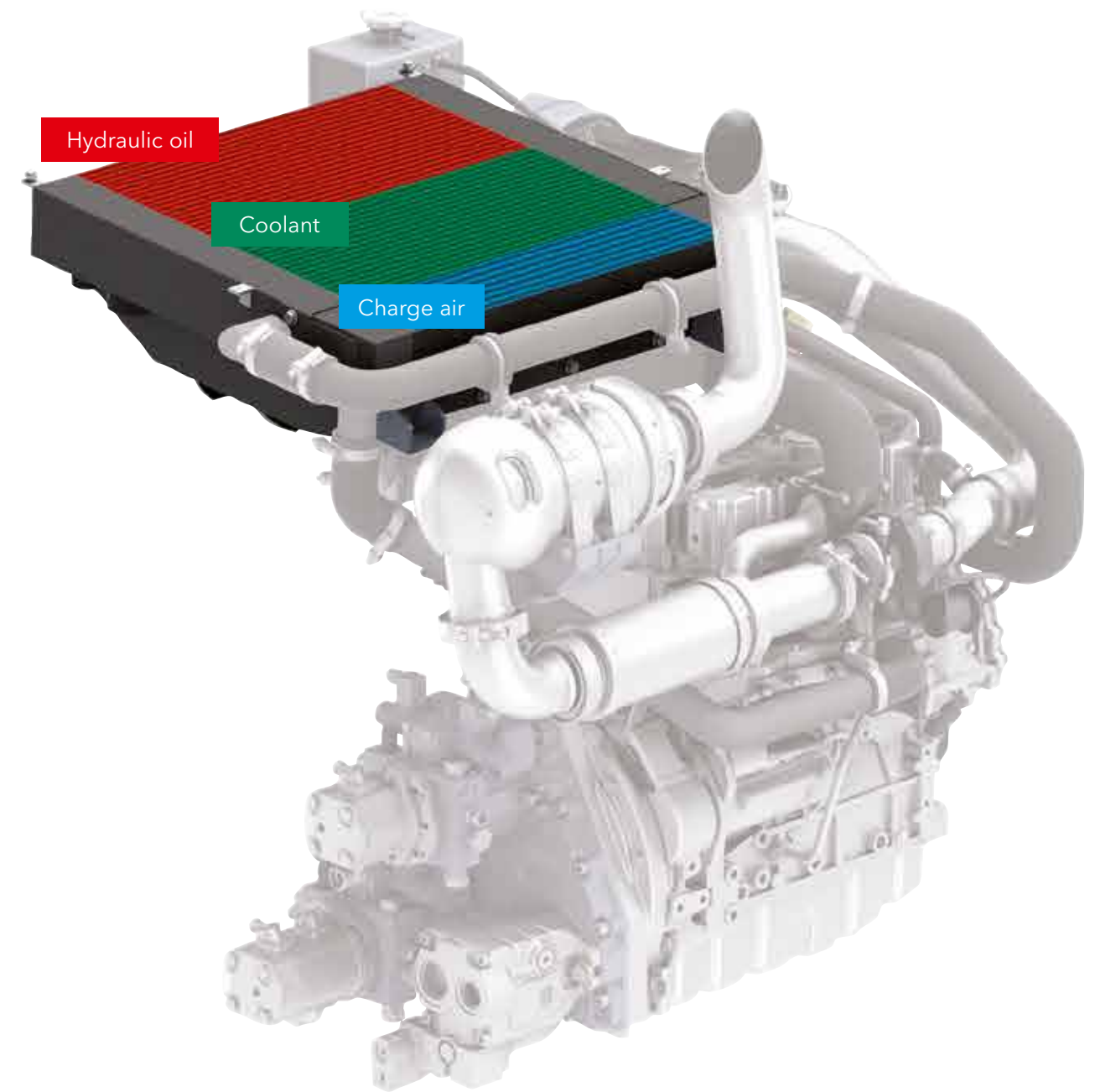
**Three main components** define the power unit of a SUPER 800: its modern, liquid-cooled diesel engine, a splitter gearbox flanged directly to the engine and a large cooler assembly.

The driving force in this power pack from VÖGELE is its diesel engine. The four-cylinder engine delivers 54kW at 2,200rpm. Yet the fuel-saving ECO mode is sufficient for many applications. And even then, the SUPER 800 still has a full 49kW at its disposal. Moreover, the machine generates even less noise when running at just 1,800rpm.

A large cooler assembly ensures that the power unit always delivers its full output. With innovative air routing and a variable-speed fan, temperatures

are always maintained within the optimum range, significantly extending the service life of both the diesel engine and the hydraulic oil. A further advantage is that the machine can operate without difficulty in all climate regions worldwide.

All hydraulic consumers are directly supplied with hydraulic oil via the splitter gearbox. Hydraulic pumps and valves are centrally located, making them optimally accessible for servicing.



A large cooler assembly with innovative air routing is installed for perfect cooling of the engine coolant, hydraulic oil and charge air in all climatic zones the world over. This ensures that the engine can deliver maximum output and helps prolong its service life.

- » **Delivering 54kW**, the modern diesel engine can achieve optimum efficiency (European emissions standard Stage 3a, US EPA standard Tier 3).
- » **ECO mode with 49kW** cuts operating costs and allows super-quiet operation.

- » **The splitter gearbox** optimally transmits the power output of the diesel engine to the hydraulic pumps.



## Precision on tracks



**Positive tracking** when moving straight and accurate cornering due to separate drive and electronic control provided for each crawler track.



» **Thanks to powerful separate drives** fitted into the sprockets of the crawler tracks, engine output is translated into pave speed with no loss of power.

» **The long crawler tracks** deliver maximum traction thanks to their large footprint. This ensures a constant forward speed even when operating in difficult terrain.

## Identical service concept



**The standardized service concept** conceived for the VÖGELE pavers means that servicing is quick and uncomplicated. Large hinged panels provide convenient access to all service points on the machine.



**Wear-resistant components** also guarantee a long service life.



**All hydraulic pumps** are located on the splitter gearbox and provide maximum service-friendliness thanks to their clear arrangement and easy accessibility.





## AB 220 TV Extending Screed

**The AB 220 Extending Screed** in the TV version is specially designed for use with the SUPER 800. The extending screed is conceived to play to the strengths of this Mini Class paver. Not only does it deliver the greatest possible variability, it also meets VÖGELE's own quality standards.

**With a basic width of 1.2m**, the AB 220 TV can be extended hydraulically to a width of 2.2m.

**The tamper and vibrator compacting systems** enable it to achieve precompaction results that are outstanding – and indeed exceptional for a paver of this class.

**The pave width** can be easily extended further by means of bolt-on extensions.

**A system for pave width reduction** permits easy, high-quality backfilling even of narrow trenches between 0.5 and 1.2m wide.



# The screed for the SUPER 800

## AB 220 TV

### Pave widths

- » Infinitely variable range from 1.2m to 2.2m
- » Maximum pave width through bolt-on extensions:
  - > 2.7m (2 x 25cm)
  - > 3.2m (2 x 50cm)
  - > 3.5m (2 x 65cm)
- » Minimum pave width of 0.5m with a system for pave width reduction

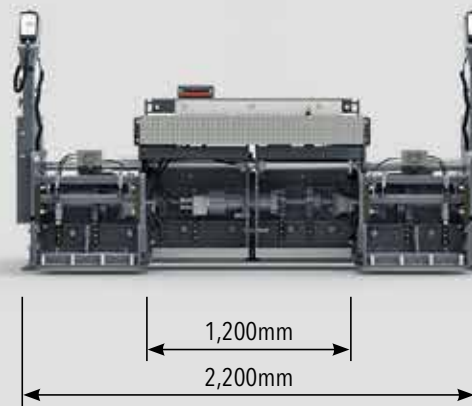
### Compacting systems

- » AB 220 TV with tamper and vibrators



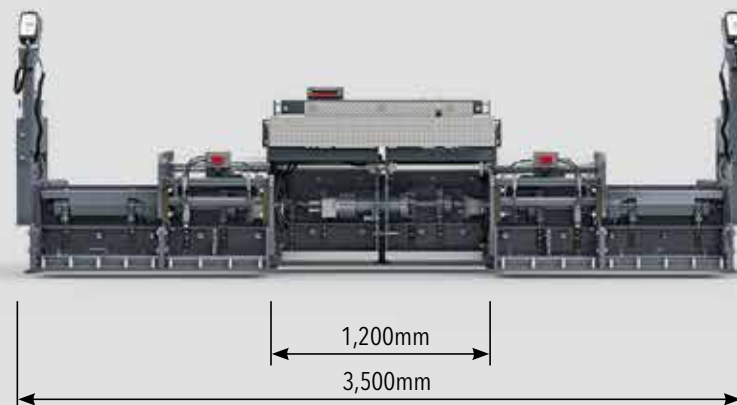
## AB 220 TV

AB 220 TV without bolt-on extensions



## AB 220 TV

AB 220 TV with 65cm bolt-on extensions



# Reduction in width

» **Once mounted**, the system for pave width reduction allows infinite variation of the pave width from 1.2m to 0.5m. This is conveniently handled from the paver operator's stand without a need for conversion.

» **Thanks to the system for pave width reduction** offered by VÖGELE, the backfilling of trenches or paving in an asymmetrical width along kerbstones or walls is an easy game, even when using joint tape.



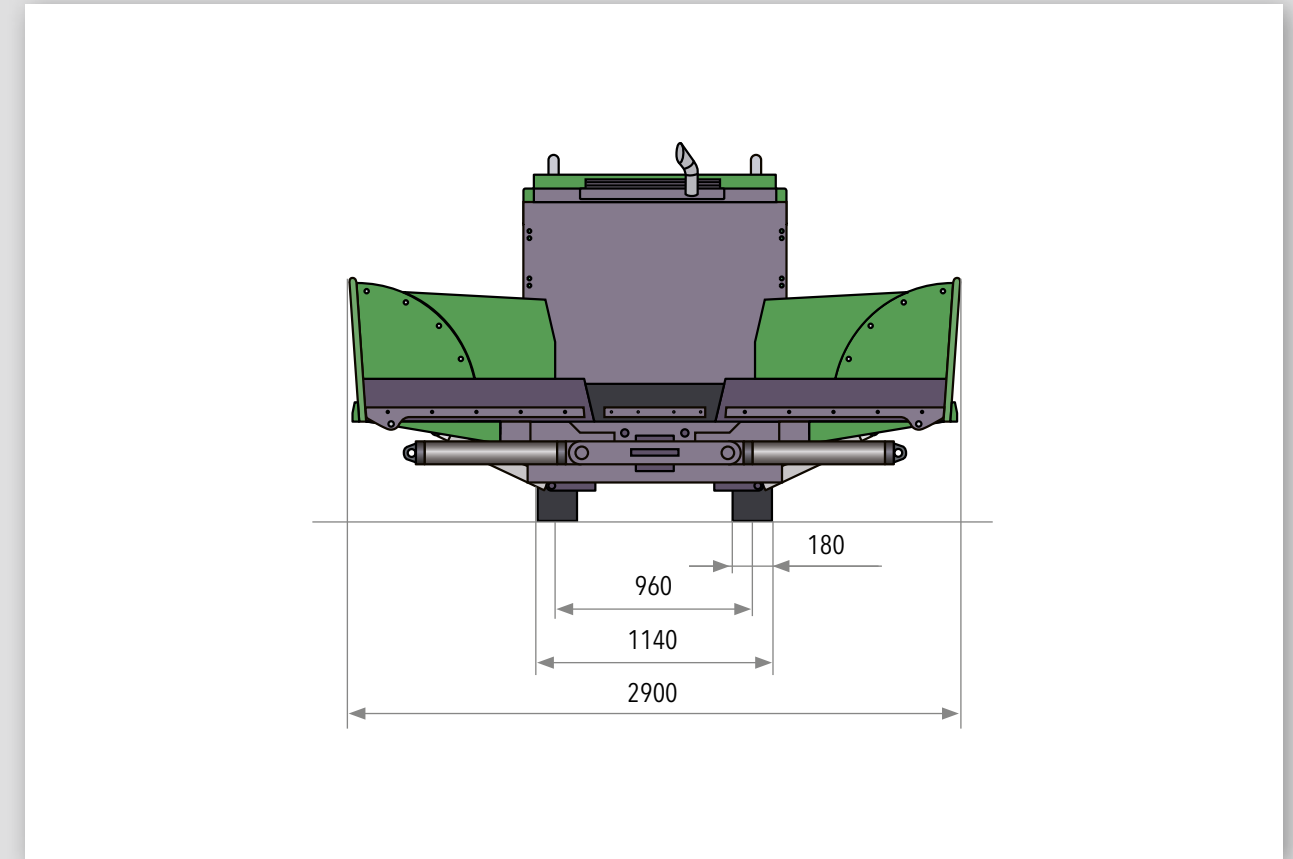
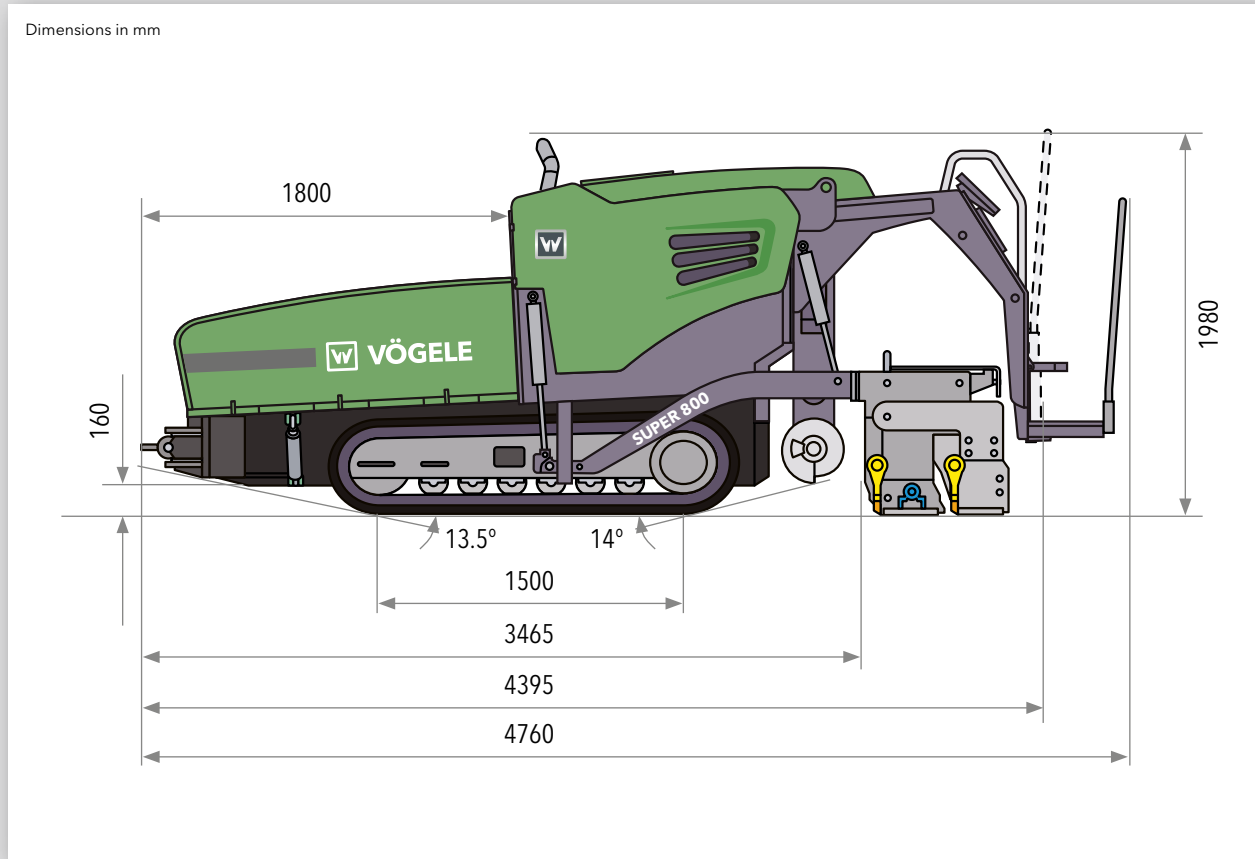
*With the system for pave width reduction fitted, the screed floats on the mix just as it does when paving in a non-reduced width. This allows the layer thickness to be adjusted via the screed tow point rams or even to be controlled with Niveltronic Basic.*

*The floating screed not only provides for precise paving results, but also achieves excellent precompaction.*





# All the facts at a glance



Power unit	
<b>Engine</b>	4-cylinder diesel engine, liquid-cooled
Manufacturer	Deutz
Type	TD 2.9 L4
<b>Output</b>	
Nominal	54kW at 2,200rpm (according to DIN)
ECO mode	49kW at 1,800rpm
<b>Exhaust emissions standard</b>	EU Stage 3a, US EPA Tier 3
<b>Fuel tank</b>	80 litres

Undercarriage	
<b>Crawler tracks</b>	provided with rubber pads
Ground contact	1,500mm x 180mm
Suspension	rigid
Track tension adjuster	spring assembly
Track roller lubrication	lifetime
<b>Traction drive</b>	separate hydraulic drive and electronic control provided for each crawler track
<b>Speeds</b>	
Paving	up to 30m/min., infinitely variable
Travel	up to 3.6km/h, infinitely variable
<b>Service brake</b>	hydraulic
<b>Parking brake</b>	spring-loaded multiple-disc brake, maintenance-free
Material hopper	
<b>Hopper capacity</b>	5.8t
<b>Width</b>	2,900mm
<b>Feed height</b>	500mm (bottom of material hopper)
<b>Push-rollers</b>	oscillating, fold up with the sides of the material hopper, adjustable by 100mm to the front, 50cm to the left

Conveyor and augers	
<b>Conveyor</b>	1, with replaceable feeder bars, conveyor movement is reversible
Drive	hydraulic
Speed	up to 20m/min., infinitely variable (manual or automatic)
<b>Augers</b>	2, mounted overhung, auger rotation is reversible
Diameter	300mm
Drive	separate hydraulic drive provided for each auger
Height	
Standard	infinitely variable by 10cm, mechanical
Option	infinitely variable by 10cm, hydraulic

Screed		
<b>AB 220</b>	basic width	1.2m
	infinitely variable range	1.2m to 2.2m
	maximum width	3.5m
	minimum pave width with system for pave width reduction	0.5m
<b>Screed version</b>	TV	
<b>Layer thickness</b>	up to 20cm	
<b>Screed heating</b>	electric by heating rods	
Power supply	three-phase A.C. generator	
Dimensions (transport) and weight		
<b>Clearance Width</b>	1.4m	
<b>Length</b>	tractor unit and screed	
AB 220 TV	4.4m	
<b>Weight</b>	tractor unit and screed	
AB 220 TV	6,600kg	

Key: AB = Extending Screed TV = with tamper and vibrators

Subject to technical alterations.





Your VÖGELE QR Code will take you directly to the "SUPER 800" on our website.



**JOSEPH VÖGELE AG**

Joseph-Vögele-Str. 1  
67075 Ludwigshafen · Germany  
[www.voegele.info](http://www.voegele.info)

T: +49 621 / 81 05 0  
F: +49 621 / 81 05 461  
[marketing@voegele.info](mailto:marketing@voegele.info)



® ERGOPLUS, InLine Pave, NAVITRONIC, NAVITRONIC Basic, NAVITRONIC Plus, NIVELTRONIC, NIVELTRONIC Plus, RoadScan, SprayJet, VÖGELE, VÖGELE PowerFeeder, PaveDock, PaveDock Assistant, AutoSet, AutoSet Plus, AutoSet Basic, ErgoBasic and VÖGELE-EcoPlus are registered Community Trademarks of JOSEPH VÖGELE AG, Ludwigshafen/Rhein, Germany. PCC is a registered German Trademark of JOSEPH VÖGELE AG, Ludwigshafen/Rhein, Germany. ERGOPLUS, NAVITRONIC Plus, NAVITRONIC BASIC, NIVELTRONIC Plus, SprayJet, VISION, VÖGELE, VÖGELE PowerFeeder, PaveDock, PaveDock Assistant, AutoSet, AutoSet Plus, AutoSet Basic and VÖGELE-EcoPlus are trademarks registered in the US Patent and Trademark Office to JOSEPH VÖGELE AG, Ludwigshafen/Rhein, Germany. Legally binding claims cannot be derived from written information or pictures contained in this brochure. Pictures may include optional extras. We reserve the right to make technical or design alterations.