

Universal Class

SUPER 1800-3

TRACKED PAVER



Maximum pave width 10 m
Maximum laydown rate 700 tonnes/h
Transport width 2.55 m

PREMIUM LINE

 www.voegele.info

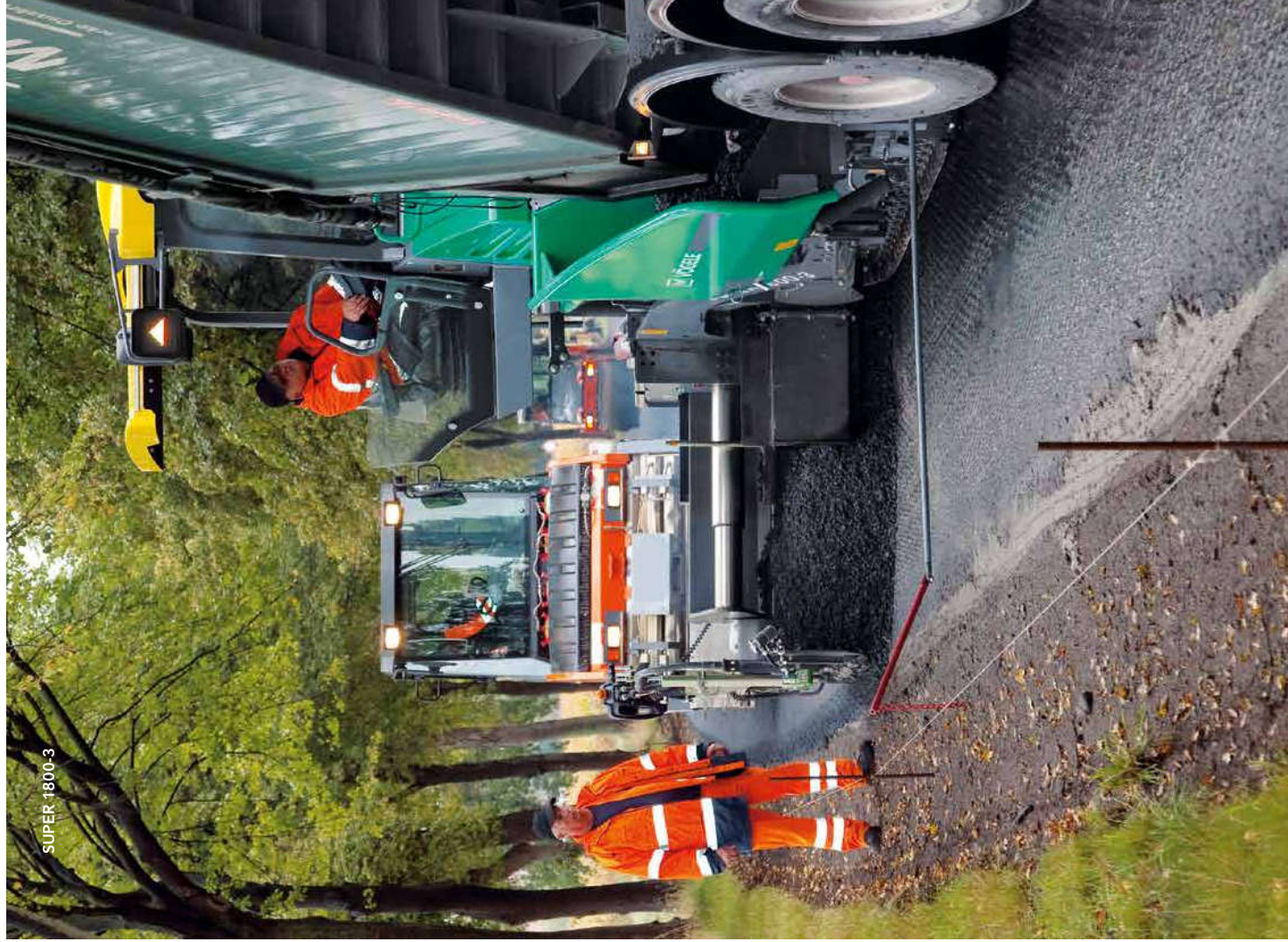
SUPER 1800-3 – a class of its own



The **SUPER 1800 class** from VÖGELE is legendary. No other paver in the world can rival it for popularity among professional road construction teams. Although the drive system of the new SUPER 1800-3 has been completely revised, the machine still follows on seamlessly from its predecessors, offering the same proven features. To enable this Universal Class machine to continue meeting ecological and economic challenges in future, it was optimized with a strong focus on slashing fuel consumption. In addition, the VÖGELE EcoPlus package greatly reduces noise levels.

The ErgoPlus system has also been enhanced for the "Dash 3" generation. The paver operator's console now features a particularly large colour display, providing brilliant readability even in poor lighting conditions.

Meanwhile, the AutoSet Plus and PaveDock Assistant functions make life a great deal easier for the paver operator. With an overall length of 6 m and a maximum pave width of 10 m, its compact size makes it a universal paver for use both on motorways and on inner-city roundabouts.



SUPER 1800-3

The highlights of the SUPER 1800-3



Tracked Universal Class paver with a large range of applications and pave widths up to 10 m

Powerful and economical drive concept, even when operating at full load in any climate zone

The VÖGELE EcoPlus low-emissions package significantly reduces fuel consumption and noise levels

Optimum feeding with mix thanks to the large material hopper, PaveDock sprung push-rollers and PaveDock Assistant communication system

ErgoPlus 3 operating system with numerous convenient and automatic functions

All screeds can be used with high compaction technology

SUPER 1800-3

The drive concept – efficiency, performance and low consumption

DRIVE CONCEPT



VÖGELE's modern drive concept is perfectly adapted to the large range of different uses of the SUPER 1800-3.

Delivering a powerful drive when maximum performance is called for, this Universal Class paver is exceedingly economical in everyday operation.

Low input, maximum output – all drive components, from the diesel engine to the hydraulic system, operate at maximum efficiency.

Intelligent engine management with ECO mode and VÖGELE EcoPlus low-emissions package keep fuel consumption and noise levels low.

Modern drive technology

Three main components define the power unit of a SUPER 1800-3: its modern, liquid-cooled diesel engine, a splitter gearbox flanged directly to the engine and a large cooler assembly.

The driving force in this power pack from VÖGELE is its diesel engine. The six-cylinder engine delivers 127 kW at 2,000 rpm, though fuel-saving ECO mode is sufficient for many applications. And even then, the SUPER 1800-3 still has a full 116 kW at its disposal. Moreover, the machine generates even less noise when running at just 1,700 rpm.

A large cooler assembly ensures that the power unit always delivers its full output. With innovative air routing and a variable-speed fan, temperatures

are continuously maintained within the optimum range, significantly extending the service life of both the diesel engine and the hydraulic oil. A further advantage is that the machine can operate without difficulty in all climate regions worldwide.

All hydraulic consumers are directly supplied with hydraulic oil via the splitter gearbox. Hydraulic pumps and valves are centrally located, making them optimally accessible for servicing. Even the powerful generator for screed heating is flanged directly onto the splitter gearbox; its integrated oil cooling system makes it completely maintenance-free and very quiet.



The large cooler assembly is made up of three parts. It ensures that engine coolant, charge air and hydraulic oil are maintained at the optimum temperature.

- » **Powerful diesel engine** rated at 127 kW. » **A powerful, oil-cooled generator** with direct drive ensures rapid, uniform heating of the screed.
- » **ECO mode at 1,700 rpm** cuts operating costs and supports super-quiet operation.



VÖGELE EcoPlus: less is more

It goes without saying that our road pavers conform to the applicable emissions directives, but we like to go much further. That's why the machine concept of the "Dash 3" generation uses environmentally friendly innovations in machine technology, resulting in lower consumption, lower emissions and lower costs.

One of these innovations is the VÖGELE EcoPlus low-emissions package. Fuel savings of up to 25% can be achieved with VÖGELE EcoPlus, depending on the application and capacity utilization of the paver.

That doesn't just result in considerable savings for the contractor – it is good news for the environment, too. That's because every litre of fuel saved reduces carbon dioxide (CO₂) emissions.


25% FUEL SAVING

25% LESS CO₂ EMITTED

LOWER NOISE EMISSIONS

The technical innovations



01

Splitter gearbox with ability to disengage hydraulic pumps

When the paver is stationary, all the hydraulic pumps needed for "traction", "conveyors and augers" and "compaction" are disengaged automatically. The result? Lower fuel consumption.



02

Energy-optimized tamper drive

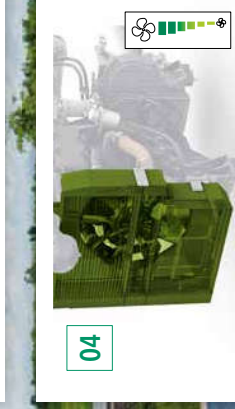
Tamper is driven by a variable-displacement pump always delivers exactly the amount of oil needed current tamper speed and not a drop more or



03

Controlled hydraulic oil temperature circuit

A bypass circuit gets the hydraulic oil to its optimum operating temperature very quickly, enabling rapid, fuel-saving operation of the paver.



04

Variable-speed fan

The variable-speed fan automatically adapts to engine load and ambient temperature. This type of drive saves energy and reduces noise emissions.



SUPER 1800-3

Efficient translation of tractive power

High-quality separate hydraulic drives are essential components of the VÖGELE drive concept. They allow our pavers to operate incredibly cost-efficiently at a high level of performance.

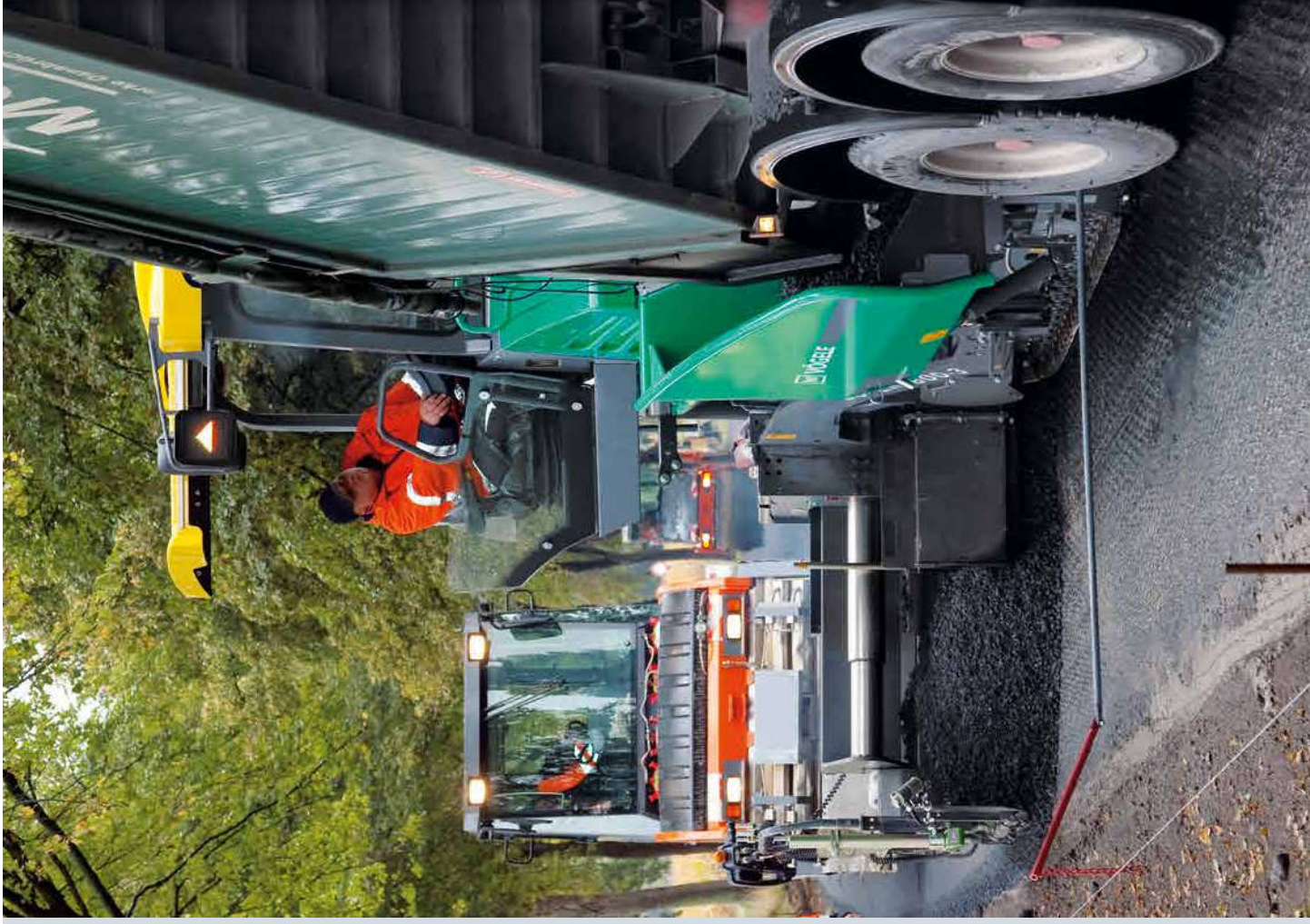
Since the traction drive units are directly integrated in the sprockets of the crawler tracks, engine output is translated into pave speed without any loss of power.



» **The hydraulic systems** for the traction drive, conveyors and augers as well as the compacting systems all operate in separate closed circuits for maximum efficiency.

» **Long crawler tracks** with large footprints provide for maximum tractive effort, allowing the paver to progress well at a constant speed even when operating on difficult terrain.

» **Positive tracking** when moving straight and accurate cornering due to separate drive and electronic control provided for each crawler track.



SUPER 1800-3

Perfect material management for perfect paving quality



A continuous flow of mix is key to ensuring uninterrupted and high-quality paving. That is why we attach such importance to professional material management when designing our pavers.

All our development efforts focus on simple operation and the best possible overview for the paving team.

PaveDock Assistant from VÖGELE is an innovative solution to standardize and simplify communication between the paver operator and the driver of the feed vehicle.

Large material hopper, easy feed with mix

As with all **VÖGELE pavers**, supplying the SUPER 1800-3 with mix is a clean, safe and swift process.

A hydraulically operated hopper front directs the mix inside the material hopper straight onto the conveyors, conveying the entire mix properly in front of the screed.

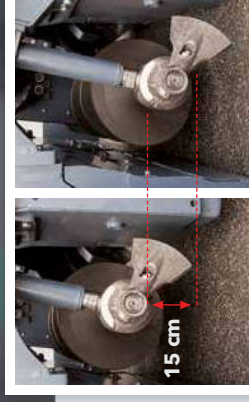


- » **The large material hopper** holding 13 t is simply dimensioned so that a sufficient quantity of mix is stored at all times. There is no problem tiding over difficult situations such as paving under bridges, for instance.
- » **Easy feeding with mix** thanks to low material hopper, wide hopper sides and sturdy rubber baffles fitted to the hopper front.
- » **Especially wide oscillating push-rollers** for convenient and shock-free docking of feed vehicles, even on bends.



By **spreading mix perfectly**, the SUPER 1800-3 provides the ideal head of material in front of the screed in every paving situation.

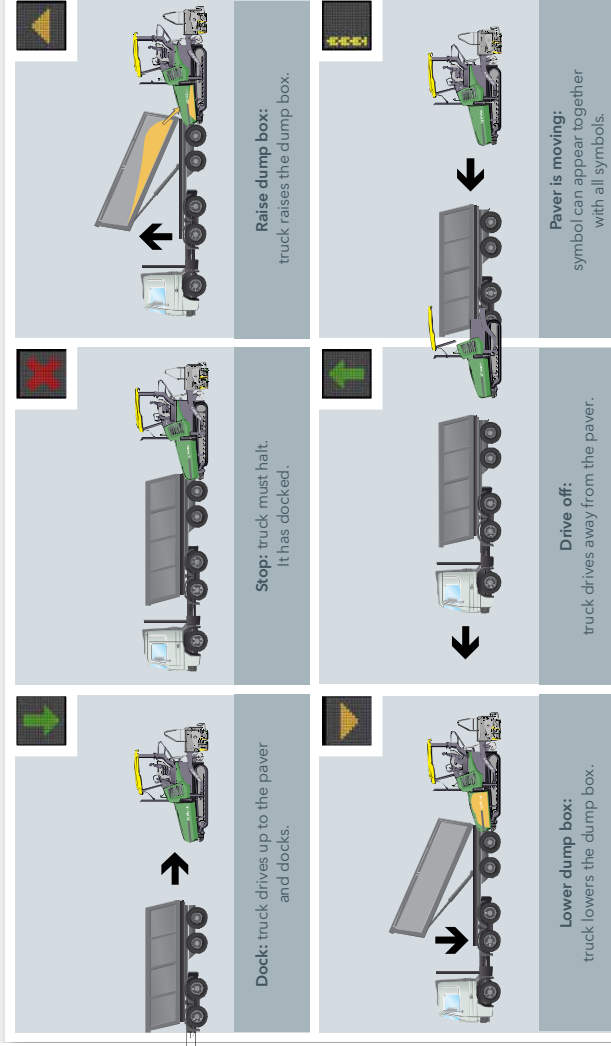
Powerful, separate hydraulic drives for conveyors and augers are installed, achieving high laydown rates up to 700 t/h.



The height of the auger complete with bearing boxes and limiting plates for the auger tunnel can be hydraulically adjusted by up to 15 cm across the full pave width. This optimizes the head of mix in front of the screed, even when paving thin layers or when layer thickness varies.

- » **Proportional control and continuous monitoring** provided for conveyors and augers guarantee a constant head of mix in front of the screed in line with requirements.
- » **Large-diameter auger blades** (400 mm) for excellent spreading of mix, even when paving in large widths.
- » **An auger tunnel**, easily variable in depth, provides for an optimum flow of mix when large quantities are being laid.

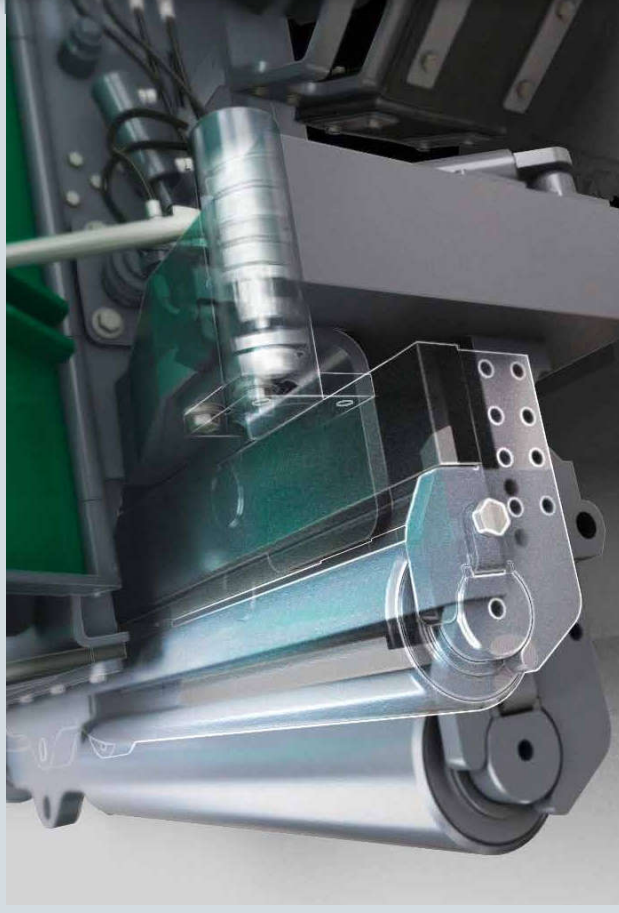
PaveDock Assistant: The communication system



PaveDock Assistant is the communication system between the paver operator and the driver of the feed vehicle. It allows particularly fast and reliable transfer of mix to the paver. Signal lights on the paver and the associated controls on the paver operator's ErgoPlus 3 console are key components.

The paver has two sets of signal lights, mounted on the right and left of the hardtop. With these lights, the paver operator can give the driver of the feed vehicle unmistakable signals, indicating what needs to be done (e.g. reverse, stop, dump mix). Having two lights, each in an elevated position, ensures that all signals are clearly visible to the feed vehicle driver from all angles of approach.

PaveDock dampens impacts effectively



As an alternative to the oscillating push-rollers, VÖGELE also supply PaveDock sprung push-rollers. These absorb jolts by the feed vehicle even more effectively and reliably, thus ensuring that they are not transmitted to the finished pavement.

Together with the PaveDock Assistant, the sprung push-rollers maximize process safety during transfer of the mix: a sensor installed in the sprung push-rollers indicates whenever a feed vehicle has docked onto the paver. The signal lights automatically and directly indicate the stop signal. The feed vehicle driver can thus react immediately.

Automated Processes with AutoSet Plus

With **AutoSet Plus**, we have enhanced the efficiency, convenience and quality of key job site processes. AutoSet Plus has two handy automatic functions.

The Repositioning and Transport function greatly facilitates the continuation of work when moving the paver on the job site from one work section to another, or after the paver has been transported.

Simply pressing the "Execute" button quickly and reliably readies the machine for travel on the job site, or for transport. Pressing the button again returns it to the previously stored working position.

The Paving Programs function allows the operating personnel to save the configured machine parameters and store these as a paving program in the menu. This program can then be called up and used whenever needed.

The two convenience functions of AutoSet Plus automate routine tasks, allowing work processes to be carried out more quickly and with greater control. This in turn means that construction projects can be completed faster and more reliably.



1 // AutoSet Plus – Repositioning function

Fast and safe repositioning of the paver on the job site. No settings are lost between paving and repositioning. Also prevents any damage to the augers and deflectors in front of the crawler tracks.

2 // AutoSet Plus – Paving Programs function

Automated configuration of the paver. Storage of all paving-related parameters. Selection of stored paving programs. Reproducible quality.



AutoSet Plus Repositioning function

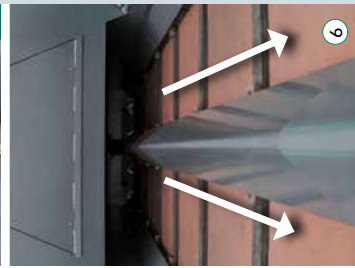
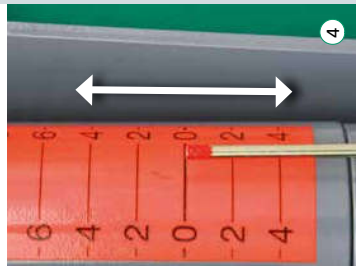
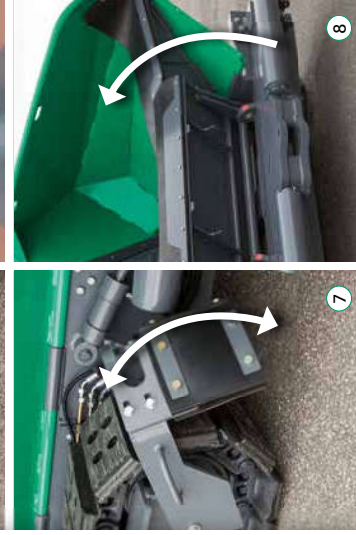
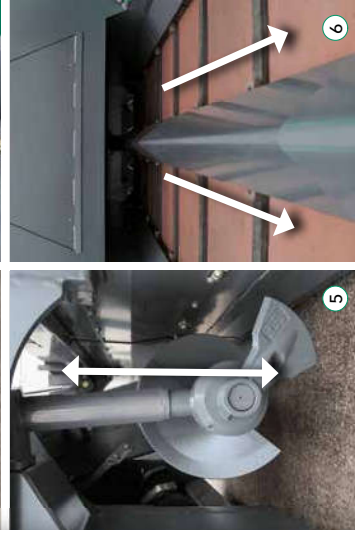
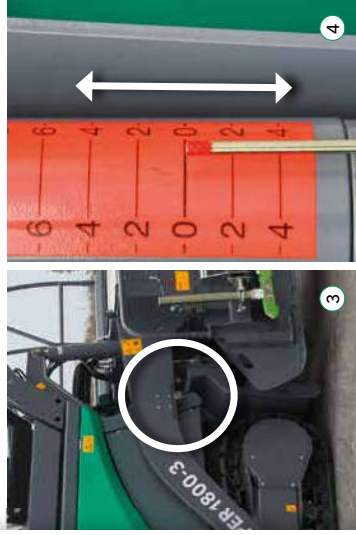
AutoSet Plus is especially helpful when the machine has to be moved frequently on the job site.

Simply pressing the "Execute" button raises the augers, the hydraulically operated hopper front and the deflectors in front of the crawler tracks to the uppermost positions. The screed and the screed tow point rams are brought into transport position. In addition, the screed is locked hydraulically in transport position. The conveyors are temporarily reversed, preventing mix from falling to the ground when the paver travels to the next work section on site.

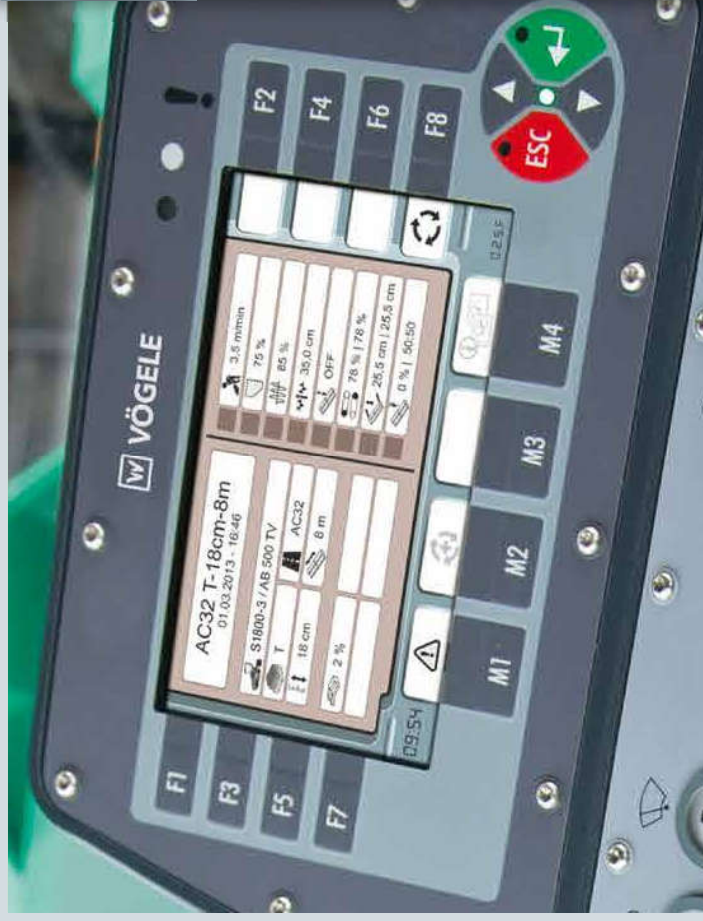
Once the paver has been repositioned, pressing the "Execute" button again returns all systems to the previously stored working positions.

This ensures that no settings are lost when changing from paving to repositioning or transport. It also effectively prevents any damage to the machine.

- 1. The AutoSet Plus Repositioning function** is activated just by pushing the "Execute" button.
- 2. Raise/lower** screed.
- 3. Lock/unlock** screed.
- 4. Screed tow point rams** in transport position/at last set value.
- 5. Raise/lower** augers.
- 6. Conveyor movement** reversible for a short time.
- 7. Raise/lower** deflectors in front of the crawler tracks.
- 8. Raise** hopper front.



AutoSet Plus Paving Programs



The **automatic Paving Programs function** allows the operating personnel to store their own paving programs. All the key parameters for paving a specific layer, e.g. a base course of asphaltic concrete 18 cm thick, can thus be stored.

On the display of his console, the paver operator saves in his program the values set for the compacting systems (tamper and vibrator speed, pressure for the pressure bars), height of the augers, position of the tow point rams, pressure for Screenshot Assist and pave speed.

He also enters the amount of crown and the screed temperature. The program is completed with additional information on the material being used, layer thickness and pave width.

The stored paving programs can subsequently be selected and used at any time via the menu. In the event of a repeat situation, this ensures that work is carried out with exactly the same settings, maintaining a consistent quality.

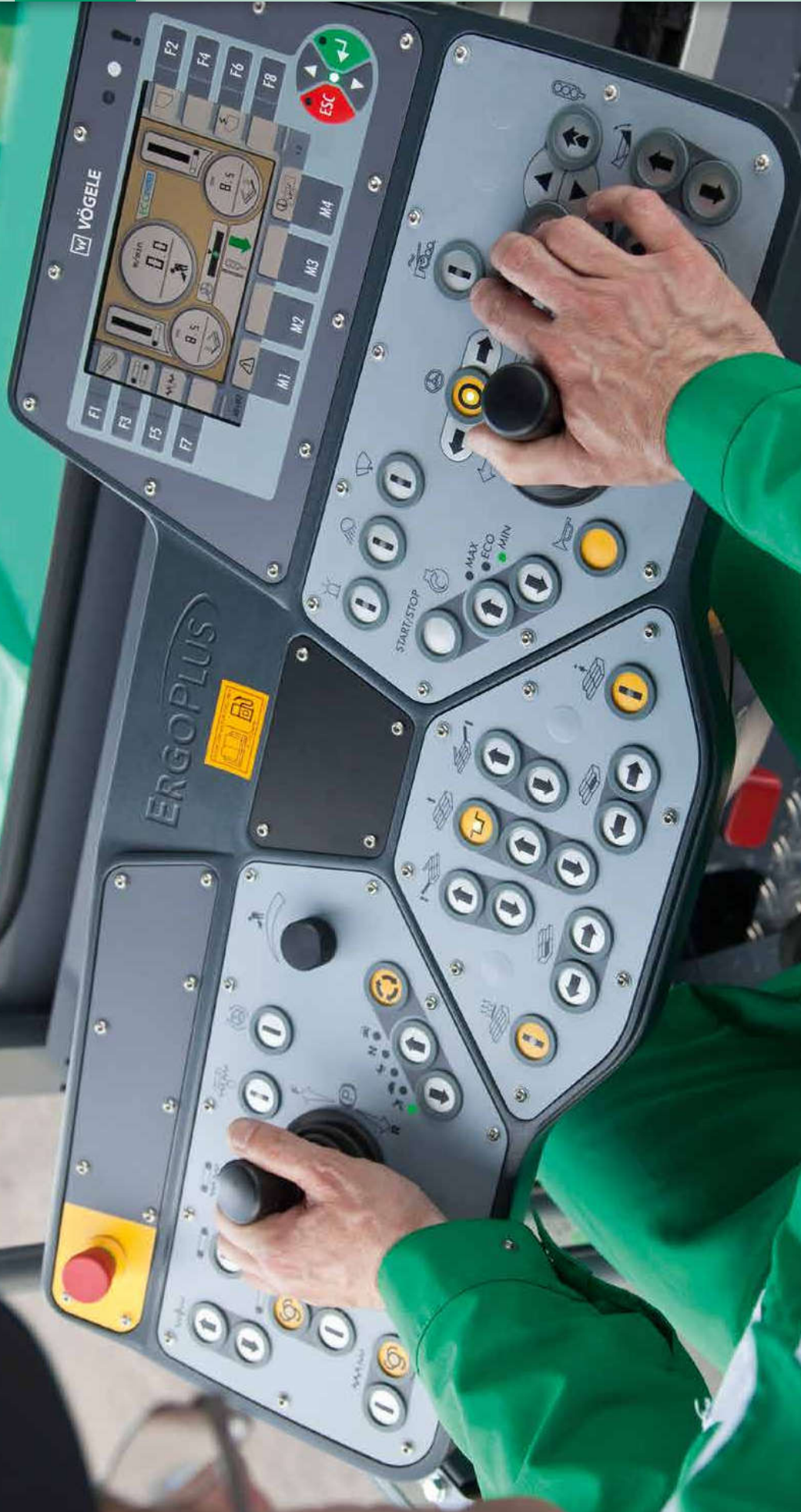
The ErgoPlus 3 operating concept

Even the very best machine with the most advanced technology can only really show its strengths if it can be operated easily and as intuitively as possible. At the same time, it should offer an ergonomic and safe working environment for the operating team. The ErgoPlus 3 operating concept accordingly focuses on the operator. With VÖGELE pavers, the user consequently retains full control over the machine and the construction project.

On the following pages, example illustrations will provide you with more detailed information on the extensive functions of the ErgoPlus 3 operating concept. ErgoPlus 3 encompasses the operator's platform, the paver operator's console and screed consoles and Niveltronic Plus, the System for Automated Grade and Slope Control.



The paver operator's
ErgoPlus 3 console

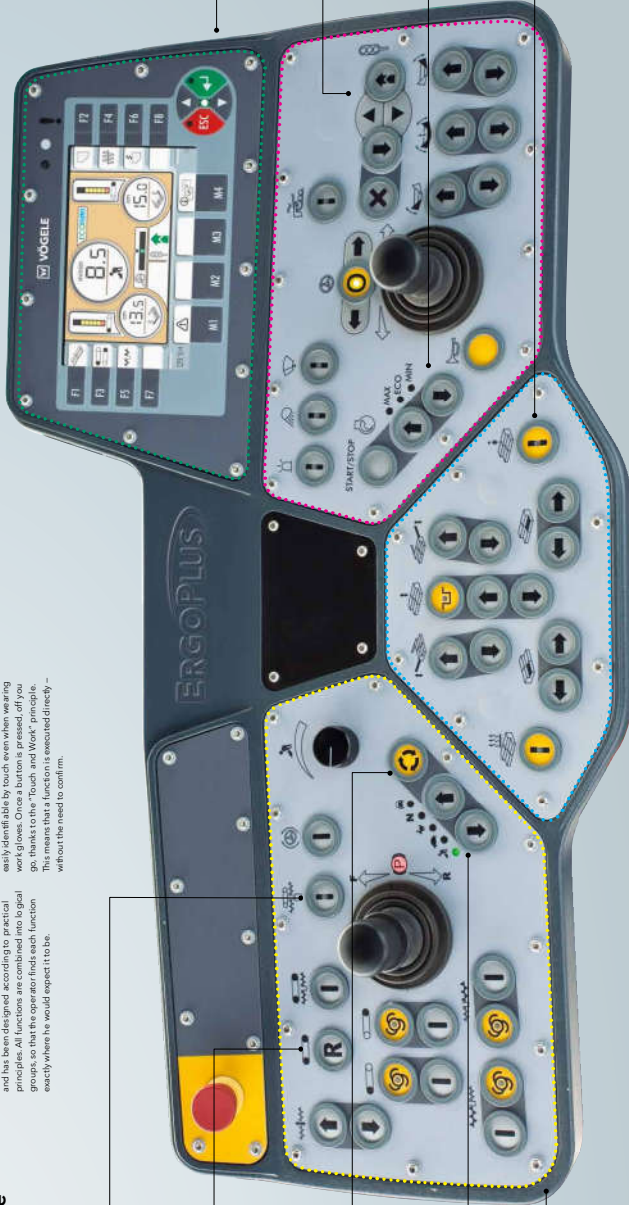


“Full control for the machine operator!”

The paver operator's ErgoPlus 3 console

The paver operator's console is extremely clear and has been designed according to practical principles. All functions are combined into logical groups, so that the operator finds each function exactly where he would expect to do so, without the need to confirm.

- Model 1: Conveyor and augers section
- Model 2: Spread
- Model 3: Material hopper and mixing
- Model 4: Display for monitoring and adjusting basic settings




Lighting function
The green indicator light indicates the status of cleaning of conveyor, augers and tamper.




Reversing conveyor movement
In order to avoid mix dropping from the conveyor, the operator can reverse the conveyor movement for a short time. This function is only active when the paver is in the 'stop' position.



Autoblock Plus Repair setting function (option)
The operator can set the paver to 'Autoblock Plus' mode. In this mode, the paver automatically stops when it detects a problem. The operator can then set the paver to 'Autoblock Plus' mode. This mode is only active when the paver is in the 'stop' position.



Choice of operating mode for the paver
The operator can choose between 'Normal' and 'Eco' mode. In 'Normal' mode, the paver operates at maximum speed. In 'Eco' mode, the paver operates at a lower speed to save fuel. The operator can also choose between 'Normal' and 'Eco' mode.



Safe operation during the night
The operator can activate the 'Night' mode. In this mode, the paver's headlights are turned off and the horn is disabled. This mode is only active when the paver is in the 'stop' position.



Display of the paver operator's console
The high-contrast colour display delivers full data readability even in poor lighting conditions. The display shows the paver's speed, fuel consumption, and other important information. The display is also equipped with a touch screen for easy navigation.



Fuel Deck Assistant (option)
The Fuel Deck Assistant (FDA) is a software function that optimizes the paver's fuel consumption. The FDA automatically adjusts the paver's speed and engine speed to save fuel. The FDA is only active when the paver is in the 'stop' position.



Choice of engine speed range
The operator can choose between 'Normal' and 'Eco' engine speed range. In 'Normal' mode, the paver operates at maximum speed. In 'Eco' mode, the paver operates at a lower speed to save fuel. The operator can also choose between 'Normal' and 'Eco' mode.



Spread Assist (option)
The Spread Assist (SA) is a software function that optimizes the paver's spread rate. The SA automatically adjusts the paver's spread rate to save fuel. The SA is only active when the paver is in the 'stop' position.

The screed operator's ErgoPlus 3 console

The screed is crucial for pavement quality, so easy, safe handling of all screed functions is of the utmost importance for high-quality road construction.

With ErgoPlus 3, the screed operator has the process of paving at his fingertips. All functions are easily comprehensible and all controls are clearly arranged.



The screed console

The screed console is designed in keeping with the conditions prevailing on the job site. Push-buttons are provided for the frequently used functions operated from the screed console. These are watertight and surrounded by raised rings, to make them identifiable "blindfold" simply by touch, even when wearing work gloves. Important paver and screed data can be called up and adjusted from the screed console, too.



The display of the screed console

The display of the screed console allows the screed operator to control and monitor both the left and the right side of the screed. The screed operator can quickly and easily adjust machine-related parameters such as tamper speed or conveyor speed. The clear menu structure, combined with easily understandable, self-explanatory symbols neutral in language, makes operating the display panel both simple and safe.



Crown adjustment at the press of a button

The crown can be conveniently adjusted at the press of a button on the screed operator's console. When the "plus" or "minus" keys are pressed, the set crown value is shown on the display.



Ergonomic screed width control at two speeds

Screed width can be effortlessly adjusted by means of the SmartWheel. This is done at two speeds: slow, for precise control (e.g. along an edge, or fast, for rapid extension or retraction of the screed.



Optimum visibility even in darkness

The screed console is specially designed for night-time operation. To prevent operator errors, the buttons are backlit as soon as dusk falls or in darkness. What's more, the downward-angled high-power LED lighting gives the operator a perfect view of all processes associated with the side plate.



VÖGELE Niveltronic Plus

Niveltronic Plus, the System for Automated

Grade and Slope Control, is an in-house development by JOSEPH VÖGELE AG based on many years of experience in grade and slope control technology. Easy operation, precision and reliability are its hallmarks, ensuring perfect mastery of all grade and slope control jobs.

This fully integrated system is perfectly adapted to the machine technology of the Premium Line pavers. All wiring and connections, for instance, are integrated in the tractor unit and screed, effectively eliminating all risk of damage to these components.

VÖGELE naturally offers a particularly large and practical selection of sensors, permitting versatile use of the Niveltronic Plus system. Whether car parks, roundabouts or highways need building or rehabilitating, VÖGELE offers the right sensor for every job site situation.

Sensors can be changed quickly and easily, as Niveltronic Plus automatically detects which sensor is connected, thus simplifying the configuration process for the user.



Left-hand side of screed

The value (in cm) displays the height of the tow point ram on the left-hand side.

Shows the value specified for the sensor on the left-hand side. All values are indicated in mm, except for the slope sensor which indicates values in per cent.

Shows the type of sensor selected for the left-hand side. Displayed in this example is the symbol for the sonic sensor used in Ground mode.

Shows the actual value currently picked up by the sensor.

Shows the sensitivity set for the sensor in use.

Right-hand side of screed

The value (in cm) displays the height of the tow point ram on the right-hand side.

Shows the value specified for the sensor on the right-hand side. All values are indicated in mm, except for the slope sensor which indicates values in per cent.

Shows the type of sensor selected for the right-hand side. Displayed in this example is the symbol for the sonic sensor used in Ground mode.

Shows the actual value currently picked up by the sensor.

Shows the sensitivity set for the sensor in use.



1



3



5



7



2



4



6



8

The ErgoPlus 3 operator's stand

1. The comfortable operator's stand gives an unobstructed view of all crucial areas on the paver such as material hopper, steering guide or screed.

2. The seats swinging out to the sides and an operator's stand of streamlined design likewise provide maximum visibility of the auger tunnel, permitting the paver operator to keep an eye on the head of mix in front of the screed at all times.

3. Working comfort
The paver operator's seat and console on the platform, as well as the screed operator's platforms can now be adjusted even more easily to personal needs.

4. A place for everything and everything in its place
The operator's stand, with its streamlined design, is well organized, offering the paver operator a professional workplace. The operator's console can be protected by a shatter-proof cover to prevent wilful damage.

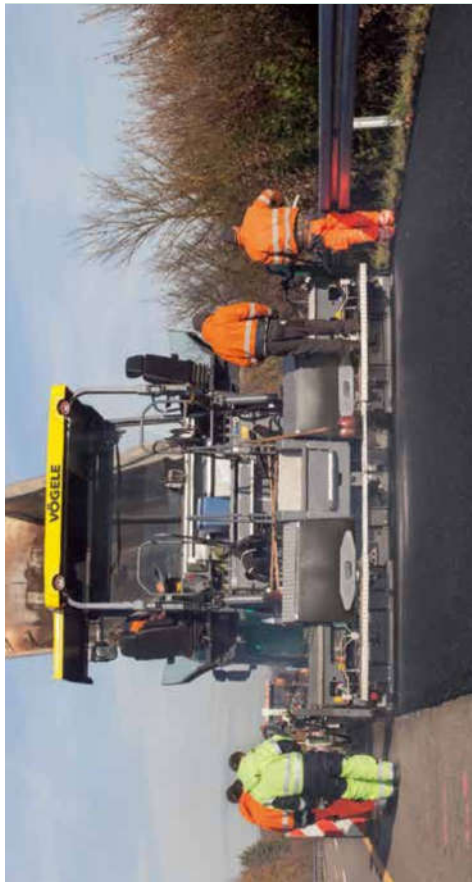
5. Hardtop gives excellent protection
The modern hardtop made of glass fibre-reinforced polymer material shelters the operator come rain or shine.

6. Consistent service concept
All "Dash 3" pavers have a consistent maintenance concept with identical service intervals.

7. Safe and convenient step
The walkway and convenient central step on the screed ensure safe and convenient access to the operator's platform.

8. Ergonomic screed console
The height and position of the console are easily adjusted. The high-contrast colour display can be read clearly from all angles.

AB 500 and AB 600 Extending Screeds



The outstandingly adaptable AB 500 and AB 600 Extending Screeds are ideal for paving varying widths and winding roads. Their high-precision, sturdy single-tube telescoping system permits stable and reliable screed-width adjustment. Even with the screed set to its maximum width, the telescoping tubes are extended by no more than half which means zero flexing.

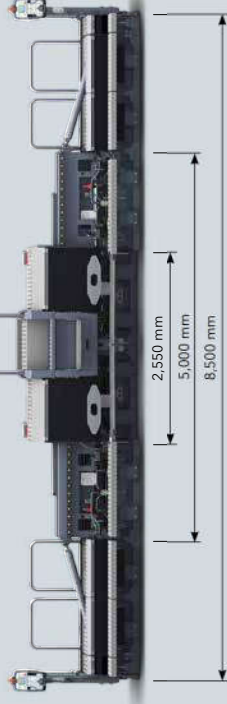
Both extending screeds are available for the SUPER 1800-3 in the TV version (with tamper and vibrators) for standard compaction or in the TP1 or TP2 versions (with 1 or 2 pressure bars) for high compaction. The AB 500 and AB 600 Extending Screeds in the TP2 Plus version are available particularly for paving binder courses and base courses with maximum precompaction.

- » **The extending screeds guarantee homogeneous surface texture** thanks to uniform heating of screed plates, tamper bars and pressure bars.
- » **Even with the paver's engine running at minimum rpm**, the time required for the screed to reach its operating temperature is reduced substantially thanks to intelligent generator management.

- » **When the paver functions are set to automatic**, the generator management system activates Alternating mode for screed heating (heats the screed alternately on the left and right), a feature which is easy on the engine and reduces fuel consumption.

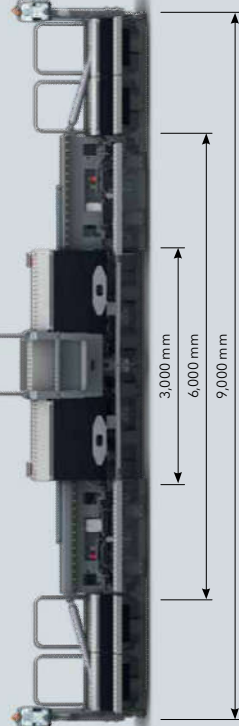
AB 500 TV

Built up to maximum pave width



AB 600 TV

Built up to maximum pave width



AB 500

Pave widths

- » Infinitely variable range from 2.55 m to 5 m
- » Larger widths if bolt-on extensions up to a maximum of 8.5 m are added

Compacting systems

- » AB 500 TV with tamper and vibrators
- » AB 500 TP1 with tamper and 1 pressure bar
- » AB 500 TP2 with tamper and 2 pressure bars
- » AB 500 TP2 Plus with tamper and 2 pressure bars for maximum precompaction

AB 600

Pave widths

- » Infinitely variable range from 3 m to 6 m
- » Larger widths if bolt-on extensions up to a maximum of 9 m are added

Compacting systems

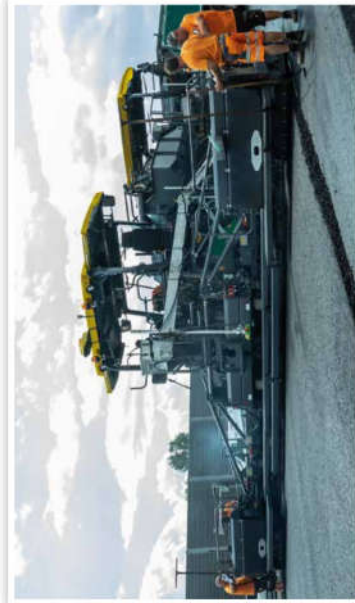
- » AB 600 TV with tamper and vibrators
- » AB 600 TP1 with tamper and 1 pressure bar
- » AB 600 TP2 with tamper and 2 pressure bars
- » AB 600 TP2 Plus with tamper and 2 pressure bars for maximum precompaction



SB 300 and SB 300 HD Fixed-Width Screens

The SUPER 1800-3 can be combined with the new SB 300 and SB 300 HD Fixed-Width Screens.

Fixed-width screens from VÖGELE deliver absolutely high-quality, perfectly even results. They show their strengths whenever large pave widths have to be handled, when laying down thick layers (e.g. crushed stone base courses) and where high degrees of precompaction have to be achieved.



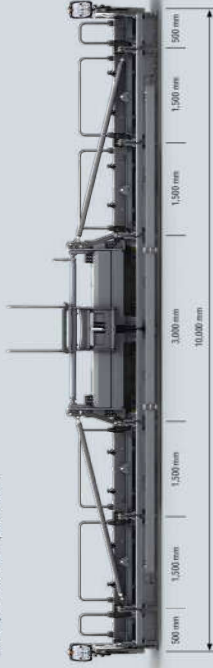
The SB 300 provides numerous user-friendly innovations. The possibility of hydraulically adjusting the screed by up to 2.5 m with the newly developed bolt-on extensions is a globally unique feature. This guarantees high flexibility during paving. In addition, a special telescoping and positioning system greatly reduces the set-up times when mounting the fixed bolt-on extensions. Another benefit for users is that the tamper stroke can now be adjusted hydraulically when required, i.e. simply by pressing a button on the paver operator's or screed operator's console. This speeds up processes, especially when working with varying layer thicknesses. The screed is also

equipped with a new heating system which heats the screed plate, tamper and pressure bars twice as fast as before and much more uniformly.

Like the SB 300, the SB 300 HD Fixed-Width Screed has a basic width of 3 m. The key difference between them is that this screed was designed specifically for paving non-bituminous mixes in sub-base construction, so has no screed heating. This rugged screed is equipped with a purpose-made tamper which achieves a particularly high precompaction value. This allows crushed stone base courses and anti-freeze layers to be paved efficiently and accurately in high layer thicknesses.

SB 300 TV

Built up to maximum pave width.



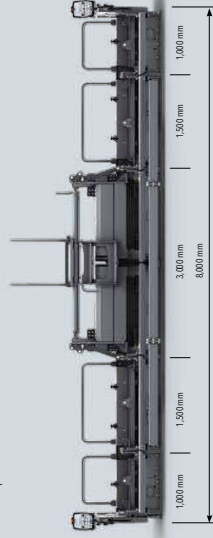
- Pave widths**
- Basic width 3 m. Larger widths if bolt-on extensions up to a maximum of 10 m are added
 - 125 cm hydraulic bolt-on extensions make pave width infinitely variable within a range of 2.5 m

Compacting systems

- SB 300 TV with tamper and vibrators
- SB 300 TP1 with tamper and 1 pressure bar
- SB 300 TP2 with tamper and 2 pressure bars

SB 300 HD

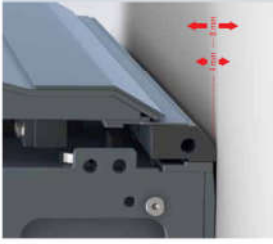
Built up to maximum pave width



- Pave widths**
- Basic width 3 m. Larger widths if bolt-on extensions up to a maximum of 8 m are added
 - Specifically for use in sub-base construction, so no screed heating system

Compacting system

- SB 300 HD TV with tamper and vibrators



Hydraulic tamper stroke adjustment at the press of a button

The correct setting of the tamper stroke has a key impact on the compaction results and floating behaviour of fixed-width screeds. Since adjusting the tamper stroke mechanically is a very time-consuming process, it is often not adjusted even when different layer thicknesses are being paved with one and the same screed. This prompted VÖGELE to develop the hydraulic tamper stroke adjustment system.

With this system, paver operators can set the optimum tamper stroke of 4 mm or alternatively 8 mm for the particular paving job simply at the push of a button. This option allows high-quality paving results to be achieved even more conveniently.

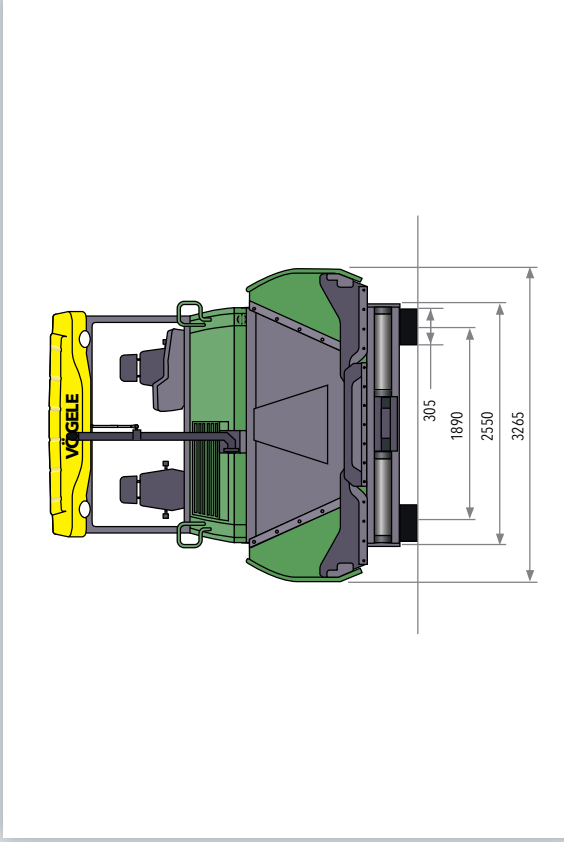
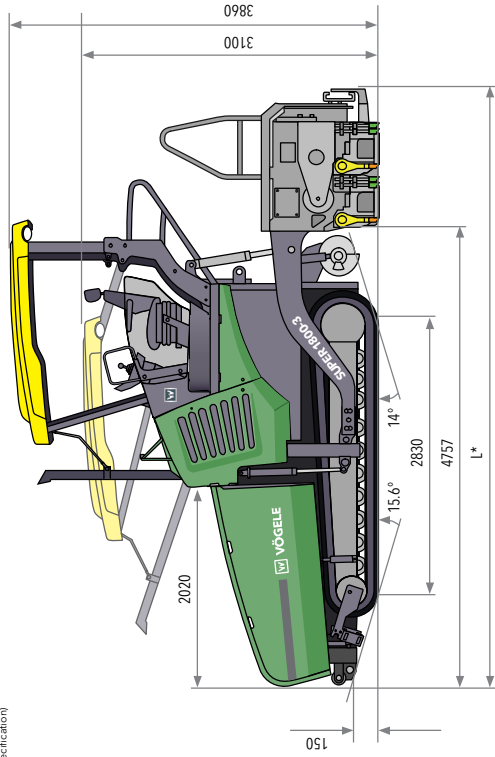


High degree of flexibility thanks to hydraulic bolt-on extensions

Both fixed-width screeds offer a high degree of flexibility when combined with the newly developed extra-wide hydraulic bolt-on extensions. Using the SmartWirel, pave width can now be hydraulically varied by 1.25 m on each side of the screed - adding up to a total adjustment range of 2.5 m. This offers a high degree of flexibility and saves time, too, particularly on projects involving varying pave widths.

All the facts at a glance

Dimensions in mm (see specification)



Power unit	
Engine	6-cylinder diesel engine, liquid cooled
Manufacturer	Cummins
Type	Q566.7-C170
Output	127 kW at 2,000 rpm (according to DIN) 116 kW at 1,700 rpm
Exhaust emissions standard	EU Stage 3a, US EPA Tier 3
Fuel tank	300 litres

Undercarriage	
Crawler tracks	provided with rubber pads
Ground contact	2.830 x 305 mm
Track tension	adjuster
Track roller lubrication	spring assembly
Traction drive	separate hydraulic drive and electronic control provided for each crawler track
Speeds	up to 24 m/min, infinitely variable
Paving	up to 4.5 km/h, infinitely variable
Travel	
Material hopper	
Hopper capacity	131
Width	3,265 mm
Feed height	594 mm (bottom of material hopper)
Push-rollers	oscillating
Standard	can be displaced forwards by 75 mm or 150 mm
Position	spring (PaveDock)
Option	

Key: **AB** = Extending Screenshot **TP1** = with tamper and 1 pressure bar **TP2 Plus** = with special tamper, 2 pressure bars and additional weights
SB = FixedWidth Screenshot **TP2** = with tamper and 2 pressure bars

Conveyors and augers	
Conveyors	2, with replaceable feeder bars, conveyor movement reversible for a short time
Drive	separate hydraulic drive provided for each conveyor
Speed	up to 33 m/min, infinitely variable (manual or automatic)
Augers	2, with exchangeable auger blades, auger rotation reversible
Diameter	400 mm
Drive	separate hydraulic drive provided for each auger
Speed	up to 84 rpm, infinitely variable (manual or automatic)
Height	infinitely variable by 15 cm, hydraulic, lowest position 10 cm above the ground
Lubrication	automatic centralized lubrication system with electrically driven grease pump
Screenshot options	
AB 500	basic width 2.55 m infinitely variable range 2.55 m to 5 m maximum width (TV/TP1) 8.5 m compacting systems TV, TP1, TP2, TP2 Plus

Screenshot options	
AB 600	basic width 3 m infinitely variable range 3 m to 6 m maximum width (TV/TP1) 9 m compacting systems TV, TP1, TP2, TP2 Plus
SB 300	basic width 3 m maximum width (TV/TP1) 10 m compacting systems TV, TP1, TP2
SB 300 HD	basic width 3 m maximum width (TV) 8 m compacting system TV
Layer thickness	up to 30 cm
Screenshot heating	electric by heating rods* three-phase AC generator
Power supply	
Dimensions (transport) and weights	
Length	tractor unit with screed 6.04 m TV 6.17 m TP1/TP2/TP2 Plus 6.10 m TV/TP1/TP2 6.10 m
Weights	tractor unit with screed 19,400 kg pave widths up to 5 m 25,150 kg pave widths up to 8.5 m

* Subject to technical modifications
 ** Net for SB 300 HD



Your VÖGELE QR Code will take you straight to the "SUPER 1800-3" on our website.



JOSEPH VÖGELE AG

Joseph-Vögele-Str. 1
67075 Ludwigshafen · Germany
www.voegele.info

T: +49 621 / 81 05 0
F: +49 621 / 81 05 461
marketing@voegele.info



® ERGOPLUS, InLine Pave, NAVITRONIC, NAVITRONIC Basic, NAVITRONIC Plus, NIVELTRONIC, NIVELTRONIC Plus, RoadScan, SprayJet, VÖGELE, VÖGELE PowerFeeder, PaveDock, PaveDock Assistant, AutoSet, AutoSet Plus, AutoSet Basic, ErgoBasic and VÖGELE-EcoPlus are registered Community Trademarks of JOSEPH VÖGELE AG, Ludwigshafen/Rhein, Germany. PCC is a registered German Trademark of JOSEPH VÖGELE AG, Ludwigshafen/Rhein, Germany. ERGOPLUS, NAVITRONIC Plus, NAVITRONIC BASIC, NIVELTRONIC Plus, SprayJet, VISION, VÖGELE, VÖGELE PowerFeeder, PaveDock, PaveDock Assistant, AutoSet, AutoSet Plus, AutoSet Basic and VÖGELE-EcoPlus are trademarks registered in the US Patent and Trademark Office to JOSEPH VÖGELE AG, Ludwigshafen/Rhein, Germany. Legally binding claims cannot be derived from written information or pictures contained in this brochure. We reserve the right to make technical or design alterations. Pictures may include optional extras.